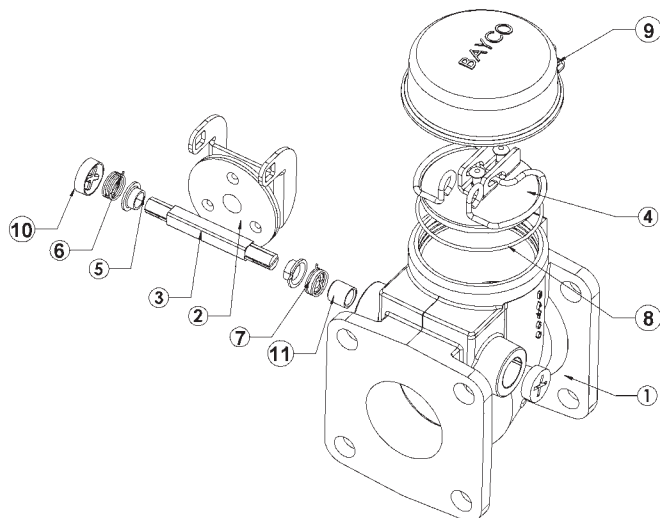


## Bayco High Flow 3020 Series 2" Swing Check Valves



### Bill of Materials

Item #	Description	Part #	Qty
1	swing check body	---	1
2	valve flapper assembly, white EPDM	use kit <b>3020FA</b>	1
3	shaft	<b>390777</b>	1
4	cover plate & retaining ring	use kit <b>3020CS</b>	1
5	shaft bearing	<b>111321</b>	2
6	right spring	<b>111324</b>	1
7	left spring	<b>111325</b>	1
8	cover O-ring	<b>111326</b>	1
9	cap	<b>3020C</b>	1
10	threaded shaft plug	<b>111443</b>	2
11	shaft bushing	<b>390784</b>	2
**	flange close clearance nuts (2 provided with 3020SQ, due to close clearance between flange and body)	<b>111485</b>	2

### Repair Kits

Part #	Description	Includes Item #
<b>3020CS</b>	top cover plate kit, cover plate, spring clip assembly and O-ring seal	4, 8
<b>3020FA</b>	replacement white EPDM flapper kit, flapper assembly, shaft, shaft bearings, springs and shaft plugs	2, 3, 5, 6, 7, 10

Dry Bulk Replacement Parts

Product instruction sheets and technical data can be viewed on our website at [dixongroupcanada.com](http://dixongroupcanada.com) by selecting the 'Resources' menu.